

Spandex modular sign systems



AUSTRALIA
Gravograph New Hermes
Australia Pty Ltd
Tel ++612 9 699 8422
Fax ++612 9 319 6759

BELGIE/BELGIQUE
Spandex Benelux NVSA
Tel 0272 57370
Fax 0272 07640

CANADA
ND Graphic Products Ltd
Tel 416 663 6416
Fax 416 663 5629

ČESKA REPUBLIKA
Spandex SyndiCut s.r.o.
Tel 02/83 08 55 60
Fax 02/83 08 55 70

CHINA
Supreme Enterprises Co.
Tel ++ 852 2745 6186
Fax ++ 852 2786 2355

COLOMBIA
Sigraf Ltda
Tel ++ 571 311 0855
Fax ++ 571 225 8476

CYPRUS
G H Yacoubian Limited
Tel ++ 357 246 3525
Fax ++ 357 245 9009

DENMARK
Dansk Skilte Import
Tel ++ 458 655 6144
Fax ++ 458 655 7044

DEUTSCHLAND
H Brunner GmbH
Tel ++ 49 7841 685200
Fax ++ 49 7841 685299

EIRE
Trimwel Limited
Tel ++ 353 1 294 0188
Fax ++ 353 1 294 0190

ESPAÑA
Spandex España SA
Tel 93 656 9040
Fax 93 656 9041

FRANCE
Spandex France SA
Tel 01 34 21 92 11
Fax 01 30 37 06 10

GREECE
Daltec SA
Tel ++ 301 4833590
Fax ++ 301 4833597

HONG KONG
Sign Supplies Centre Limited
Tel ++ 852 2810 8899
Fax ++ 852 2810 8708

ICELAND
Merking Limited
Tel ++ 354 562 7044
Fax ++ 354 562 6787

ISRAEL
Kadouri Signs Limited
Tel ++ 972 8 927 6333
Fax ++ 972 8 927 6366

ITALIA
Spandex Srl
Tel ++39 0332 420 623
Fax ++39 0332 420 620

JAPAN
MBT Corporate Limited
Tel ++ 81 3 3666 2611
Fax ++ 81 3 3666 2550

MAGYARORSZAG
Spandex Kft
Tel 016 344 2771
Fax 016 344 2772

MAURITIUS
Signs Express
Tel ++ 230 211 3150
Fax ++ 230 211 2997

MEXICO
Recisa
Tel ++ 525 533 6185
Fax ++ 525 514 4551

NEDERLAND
Spandex Benelux BV
Tel 0318 530111
Fax 0318 527960

NORWAY
Alvoen AS
Tel ++ 4755 506630
Fax ++ 4755 506640

ÖSTERREICH
Spandex Ges.mbH
Tel 0222 894 6706
Fax 0222 894 6730

PORTUGAL
Spandex España SA
Tel 93 656 9040
Fax 93 656 9041

RUSSIA
Sventa AG
Tel ++ 007-095 255 4858
Fax ++ 007-095 255 4855

TAIWAN
Ritz Sign Supply Co.
Tel ++ 886 2 396 3320
Fax ++ 886 2 341 7344

SINGAPORE
Gravograph
Singapore Pte Ltd
Tel ++ 65 472 2100
Fax ++ 65 472 7100

SLOVENSKO
Spandex Unifol sro
Tel 07 529 62 717
Fax 07 529 64 632

SOUTH AFRICA
Starmark (Pty) Limited
Tel ++ 27 11 434 1383
Fax ++ 27 11 434 1901or 434 1397

SUISSE/SCHWEIZ
Spandex AG
Tel 01 818 86 86
Fax 01 818 86 87

SUOMI
Spandex Suomi Oy
Tel 09 417 4660
Fax 09 417 46650

SVERIGE
R&D Sverige AB
Tel 00 46 430 73800
Fax 00 46 430 13317

UNITED ARAB EMIRATES
Masonlite Sign Supplies & Equipments
Tel ++ 971 469 4549
Fax ++ 971 468 7020

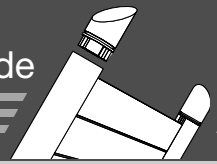
UNITED STATES
Clarke Systems Inc
Tel 610 434 9889
Fax 640 434 9868

UNITED KINGDOM
Spandex PLC
Tel 01454 616444
Fax 01454 616777

Infopanel A S S E M B L Y G U I D E



Spandex HQ. 1600 Park Avenue, Aztec West.
Almondsbury, Bristol. BS32 4UA.
Tel. 01454 616444 Fax. 01454 616777

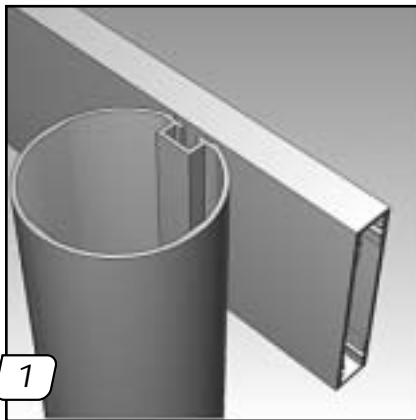


CONSTRUCTING A POLE/POST MOUNTED INFOPANEL DIRECTORY

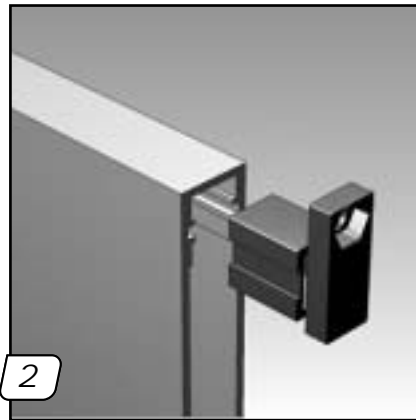
The method of mounting Infopanel to both Signpole 80 and Signpost 80 is identical.

The illustrations accompanying the following assembly instructions show infopanel being fitted to Signpole 80.

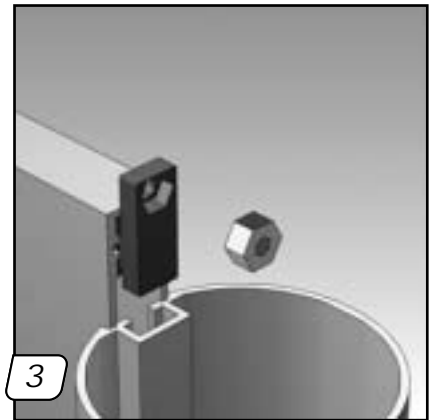
For Directories comprising three or more Infopanel, only the top and bottom Infopanel require Lock-nuts. In exposed conditions, all panels should be secured with Lock-nuts.



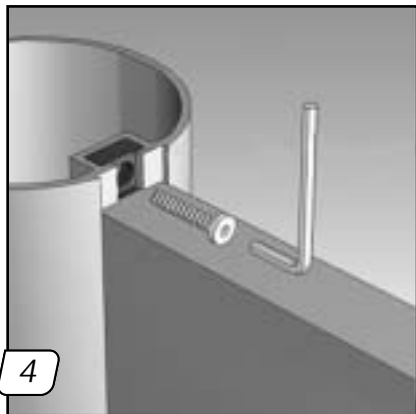
1
Cut Infopanel extrusions to length required.
Cut Signpole 80 to height required.
(If sinking poles into concrete, one third of overall visible height of sign should be underground.)



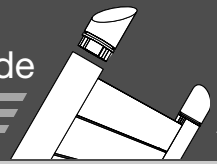
2
Push Fixing Stops into ends of Infopanel and rivet them into position. (See 'Automatic Infopanel Spacing' below).



3
Push Lock-nuts into Fixing Stops and slide Fixings Stops into Signpole 80.



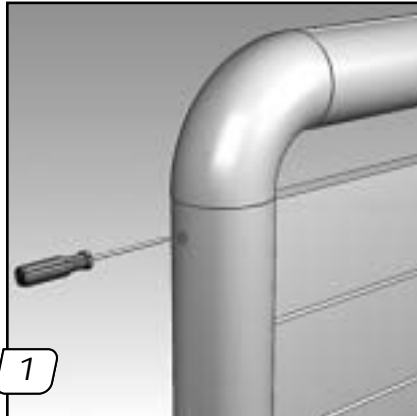
4
Secure Infopanel into position using Lock-nut screws.



FIXING CROSSBARS/SIGNPOLE 80 FILLET

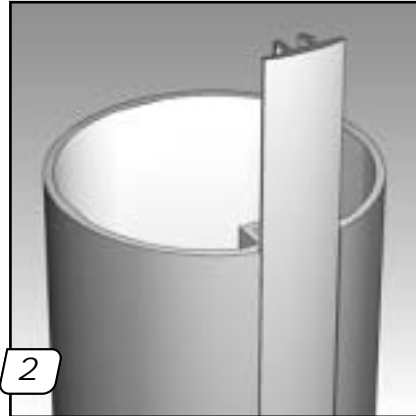
Signpole 80 crossbars can be incorporated into Infopanel directories using either the Signpole 80 Plain Corner or the Signpole 80 Ribbed Corner.

**When using Plain Corners, cut crossbar 88mm shorter than Infopanel.
When using Ribbed Corners, cut crossbar 102mm shorter.**

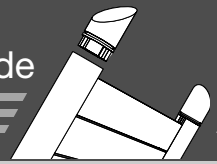


1
Cut Signpole 80 crossbar to length required.

Push-fit Corners into crossbar assembly to Signpole 80 using countersunk M5 Screws.

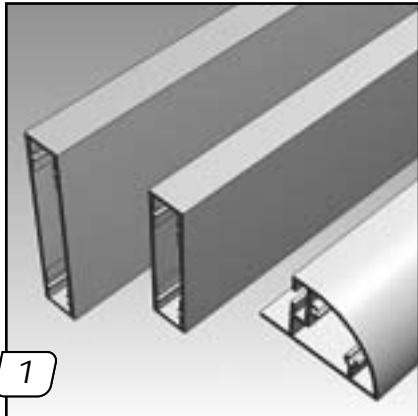


2
To create a complete circular profile whatever panels are not used, use the Signpole 80 Fillet.



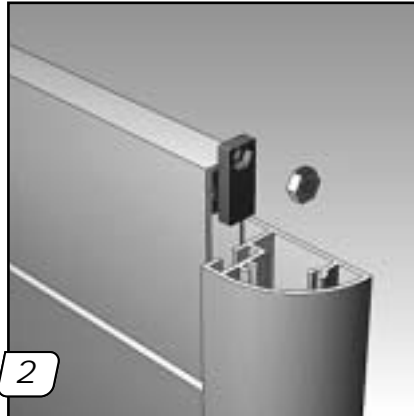
CONSTRUCTING A WALL MOUNTED INFOPANEL DIRECTORY

Wall mounted Infopanel can be fabricated using either Square or Quadrant Wall Track. The following illustrations show Quadrant Wall Track.



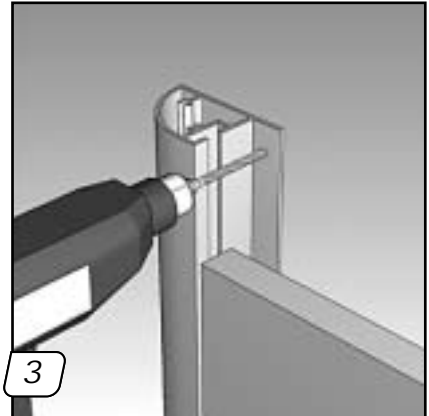
1

Cut Infopanel extrusions to length required.
Decide inter panel spacing required and push Fixing Stops into ends of Infopanel and Rivet into position. Cut Infopanel Wall Track to size.
(To Flush fit top and bottom panels with Wall track, the top and bottom Fixings Stops should face inwards.)



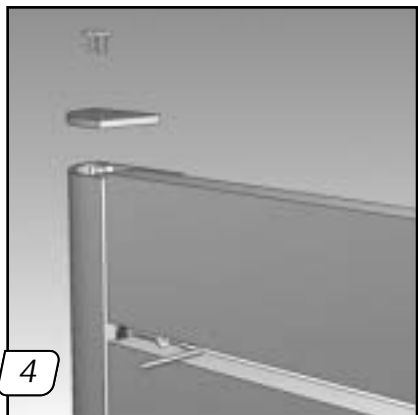
2

Push Lock-nuts into Fixing Stops and slide Fixing Stops into Wall Track..



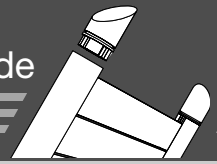
3

Drill Wall Tracks for wall fixing.



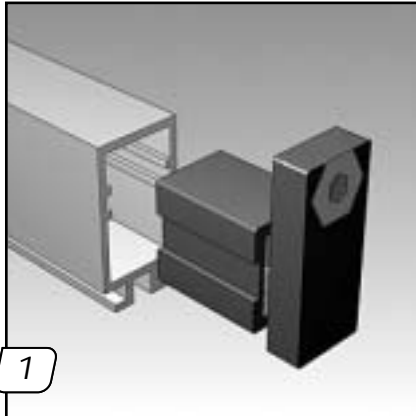
4

Secure top and bottom Infopanel into position using Lock-nut screws and Allen key. Finally secure Wall Track Caps using self-tapping screws.

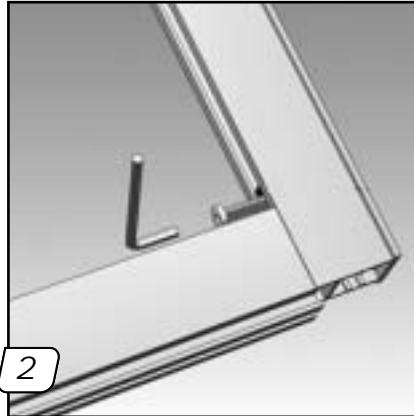


FABRICATING DEEP INFOPANELS

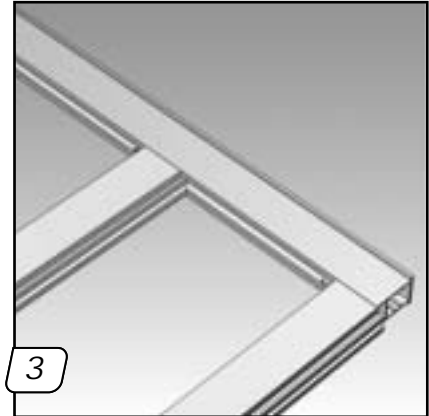
Deep Infopanel can be fabricated to non-standard sizes using aluminium sheet panels mounted with double sided tape onto a framework constructed from Infopanel Edge and Infopanel Brace extrusions. Infopanel Edge is required for the top and bottom of the panel and is cut to the exact panel width. Infopanel Brace extrusions are cut 58mm less than overall panel depth. One vertical Infopanel Brace is required at each end of the panel plus one additional brace for every 500mm panel width.



1 Cut two horizontal pieces of Infopanel Edge extrusions to length of panel required. Cut vertical Infopanel Brace extrusions 58mm shorter than depth of panel required. Insert Fixing Stops into both ends, rivetting into position.

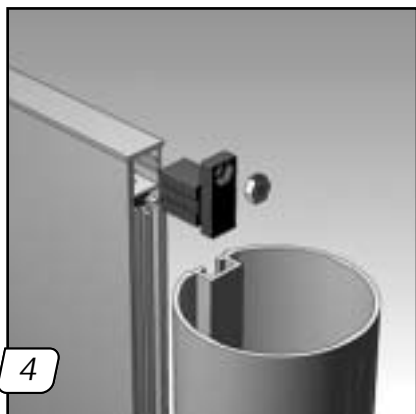


2 Push Lock-nuts into Fixing Stops as previous. Slide vertical Infopanel Brace extrusions into Horizontal Infopanel Edge extrusions, and lock together with Lock-nut screws. Cut 1.5mm thick, aluminium face panels to full panel width, and 4mm less than overall depth. (The latter allows for lip on top/bottom of Infopanel edge.)

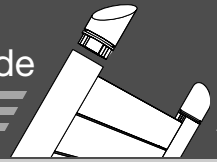


3 Apply 3M double side adhesive tape (ref: Y9473 VHB) to assembled Infopanel Edge/Brace framework. Bond aluminium sheet to Infopanel Edge framework.

Push Fixing Stops into ends of Infopanel Edge extrusions and rivet them into position.

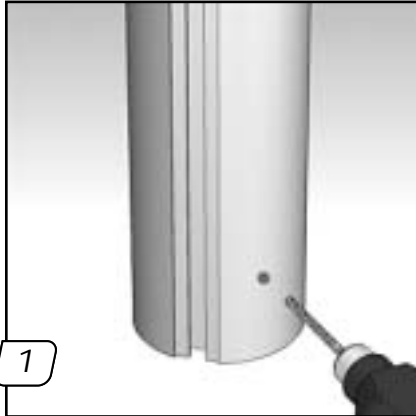


4 Push Lock-nuts into Fixing Stops and slide Fixing Stops into Signpole 80.

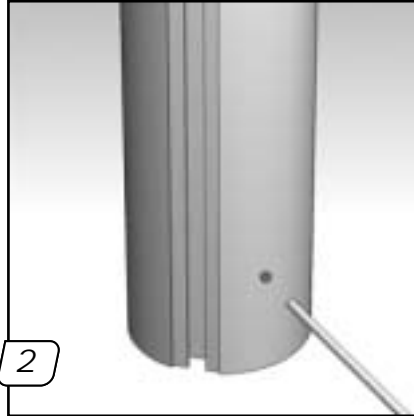


BASE MOUNTING INFOPANEL SIGNS

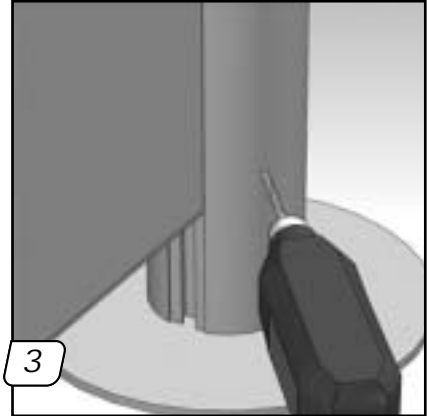
Deep Infopanel signs can be fabricated to non-standard sizes using aluminium sheet panels mounted with double sided tape onto a framework constructed from Infopanel Edge and Infopanel Brace extrusions. Infopanel Edge is required for the top and bottom of the panel and is cut to the exact panel width. Infopanel Brace extrusions are cut 58mm less than overall panel depth. One vertical Infopanel Brace is required at each end of the panel plus one additional brace for every 500mm panel width.



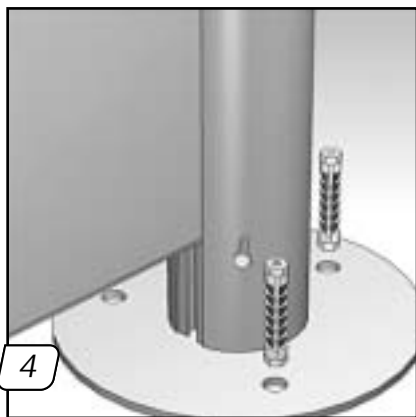
1 Drill two 16mm diameter holes directly opposite one another, 75mm up from the bottom of each post/pole.



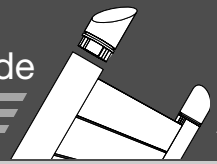
2 Insert a 15mm diameter x 200mm steel rod through the holes. This protruding rod will anchor the posts/poles when sunk. A chemical change occurs in setting concrete that is damaging to aluminium. Wrap the submerged part of the posts/poles in polythene - a plastic bag will suffice.)



3 Position aluminium posts/poles over the steel post/pole feet. Drill a suitable size hole approximately 150mm up from the bottom of each post/pole for accepting an M8 countersunk threaded bolt. Countersink the hole in the aluminium post/pole. Tap thread into steel post/pole foot hole.

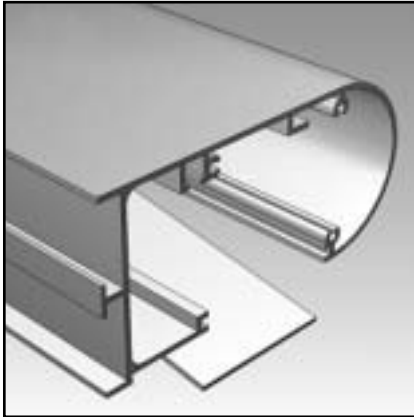


4 Bolt post/pole to post/pole feet with with M8 countersunk threaded bolts. Bolt post/pole feet to concrete footing with suitable size rawl bolts.

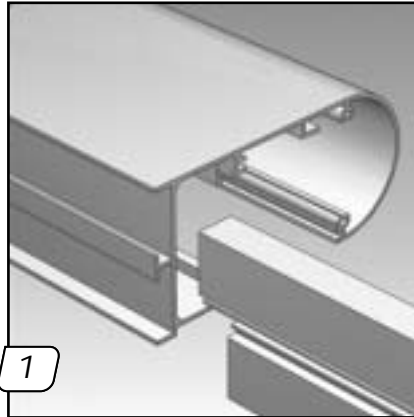


INFOPANEL LUMINAIRE ASSEMBLY

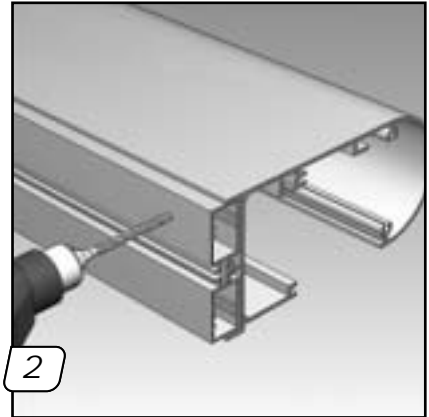
Infopanel directories using Signpole 80 can be top illuminated (one side or both) by using the Infopanel Luminaire extrusions.



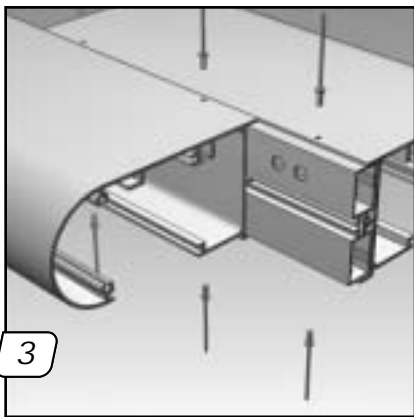
Cut Luminaire extrusion 10mm shorter than Infopanel. (If illumination is required to both sides of sign, two lengths of luminaire will be required.)



1 Cut 2 lengths of Infopanel Brace to the same length as the Infopanel and slide into rear channels of one Luminaire so that 5mm projects from each end.

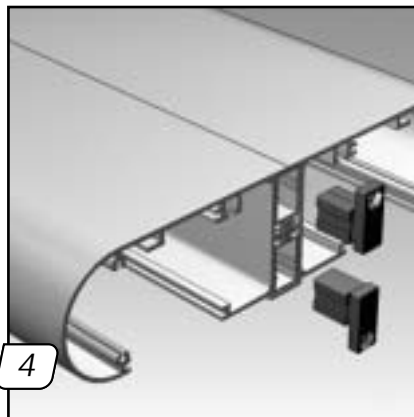


2 For single sided illumination, drill 12.5mm access hole (for concealed wiring) through back of top Infopanel Brace and Luminaire, 40mm in from one end.

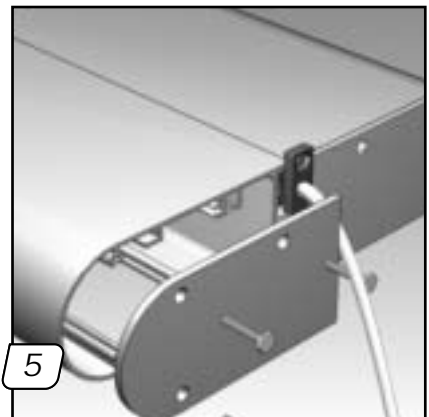


3 For double sided illumination, drill another 12.5mm hole alongside the first. Drill a corresponding 12.5mm hole through the back of the second Luminaire. Slide second Luminaire onto the first Luminaire assembly ensuring that 12.5mm holes are aligned to enable the electric cable to pass through the first Luminaire into the second.

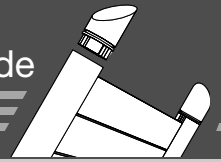
Fit luminaires together by rivetting through top and bottom flanges.



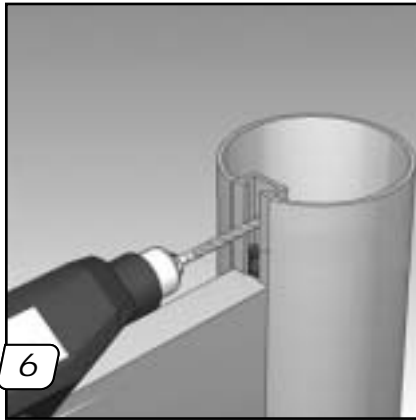
4 Push four Fixing Stops into ends of Infopanel Braces.



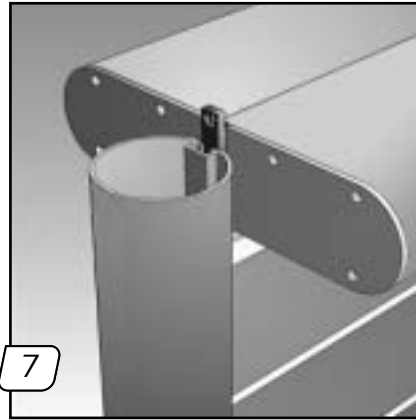
5 Fit Luminaire End Caps with three number 8x20mm countersunk self-tapping screws.



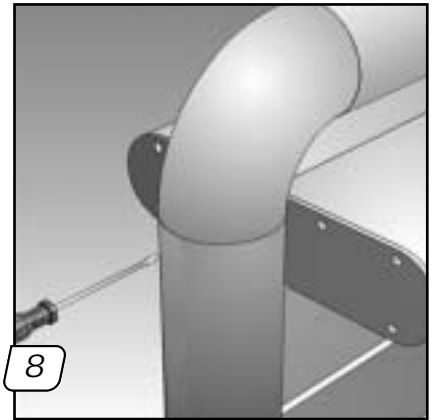
INFOPANEL LUMINAIRE ASSEMBLY Cont...



Drill 12.5mm hole in Signpole 80 to correspond with final fixed position of the drilled Fixing Stop. Feed cable through the hole and exit through the bottom of the Signpole 80 in an appropriate position.



Fit complete Luminaire Assembly into Signpoles securing Fixing Stops in the usual manner.



Finally, push-fit crossbar assembly onto Signpole 80 and screw into position.